

Product introduction



LONN168 Level Transmitter

LONN168 is a small-diameter all-sealed input diffused-silicon level measuring instrument which adopts the high-accuracy and high-stability pressure sensitive component with stainless steel isolation diaphragm to realize linear error compensation and temperature drift compensation through reasonable structure design and advanced micro-processing technology. Besides, it is equipped with a waterproof cable with ventilation duct making the sensor's back-pressure cavity connecting to the atmosphere. Through all welding process of stainless steel, it is made into an industry-standard 4 ~ 20mA, RS485 or 0.5 ~ 4.5V signal integrative product.

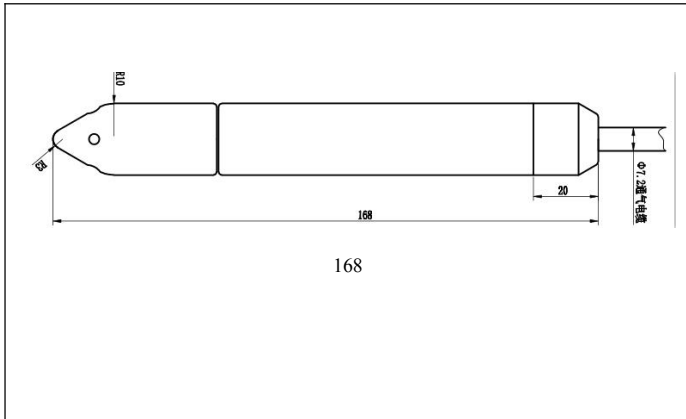
Product features

- Wide measuring range: 0~1m~200mH₂O
- Multiple outputs available: 4-20mA, 0.5-4.5V, RS485
- Digital compensation technology and high accuracy
- Good temperature drift $\leq 0.01\%FS/^\circ C$
- Anti-condensation technology and anti-interference design
- All-welded structure and diameter of 22mm

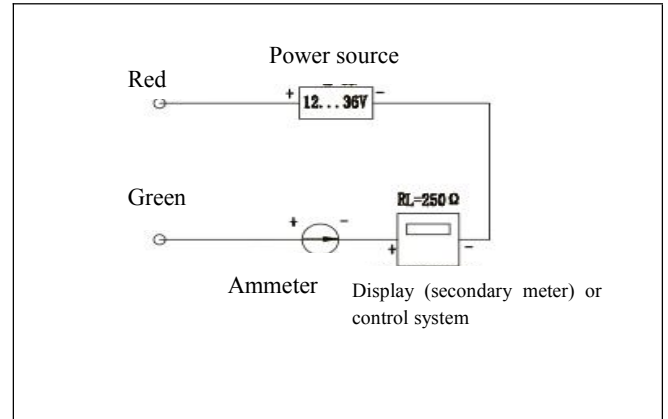
Field of application

The product has been widely used in waterworks, refineries, chemical plants, glassworks, sewage treatment plants, highrise water supply systems, reservoirs, rivers, water supply tanks, water treatment ponds, wells, water irrigation pools, water tanks, oil wells, and oil pools to achieve static and dynamic level measurement and control of various liquids.

Outside view



Wiring diagram



Technical parameters

Range	0~1, 5, 100, 200mH ₂ O		
Pressure type	Gauge pressure		
Output signal	4~20mA, 0.5~4.5V, RS485		
Input voltage	12~36V DC		
Accuracy	0.1	0.2 (0.25)	0.5
Nonlinear Repeatability Delaying	0.1	0.2 (0.25)	0.5
Zero and sensitivity drift	0.01	0.02 (0.025)	0.005
Temperature compensation	-10°C ~ 70°C		
Work temperature	-20~+85°C		
Long-term stability	≤0.1±%FS/year		
Response time	< 1ms		
Overload capacity	200%		
Load resistance	$R = (U - 12.5) / 0.02 - R_D$ U=power voltage; R _D =internal resistance of power source		
Measurement medium	Corrosive media compatible with 316L		
Diaphragm material	316L stainless steel		
Case material	1Cr18Ni9Ti		



Instruction to LONN Product Model Selection

Protection rating	IP68
-------------------	------

Instruction to model selection

LONN-5LX							
	Type	01: Integrated type ; 02: Separated type					
		Range	0~1~5, 100, 200mH ₂ O				
			Output	01: 4~20mA; 02: 0.5~4.5V: RS485			
				Precision	0.1; 0.25; 0.5		
					Process interface		
						Medium density	H ₂ O=1g/cm ³
Model selected	LONN-501	0~5mH ₂ O	01	0.25	00	1g/cm ³	

Xi'an Lonn M&E Equipment Co.,Ltd

12th South of Chang'an road, Yan ta Dist. Xi'an City, Shaanxi Province, China

+86-29-8866-1865 +86-29-8866-0964

xalonn@aliyun.com

www.xalonn.com

www.facebook.com/xianlonn

www.linkedin.com/company/13385899