

Product introduction



LONN-LG Sapphire High Temperature Pressure Transmitter

Sapphire high temperature pressure transmitter using imported sapphire pressure sensor as the core measuring element, together with high-accuracy and anti-interference conditioning circuit converts the pressure signal into an industry-standard signal for remote transmission. Sapphire consists of monocrystalline insulator elements that do not suffer from hysteresis, fatigue and creep; sapphire has very good elasticity and insulation properties (up to 1000°C). It is insensitive to temperature changes and can work normally even at high temperature. Sapphire has good capability against radiation. In addition, especially the silicon-sapphire semiconductor sensor element has no P-N drift, therefore, it can be applied to a variety of complex environments.

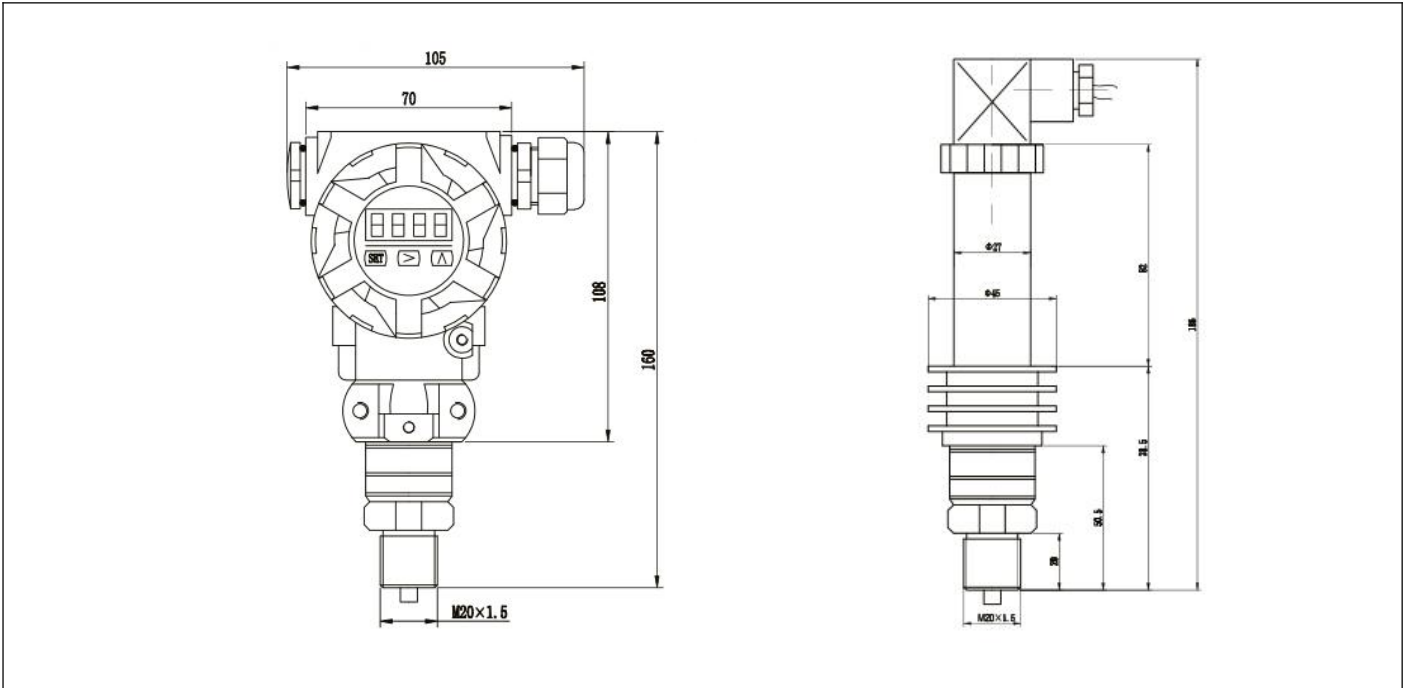
Product features

- Pressure measuring range: 0~4KPa~260MPa
- Wide temperature range: -65°C~+150°C
- Various pressure types: gauge pressure, absolute pressure and negative pressure
- High accuracy and reliability
- Light weight and high cost performance
- Strong capability against radiation

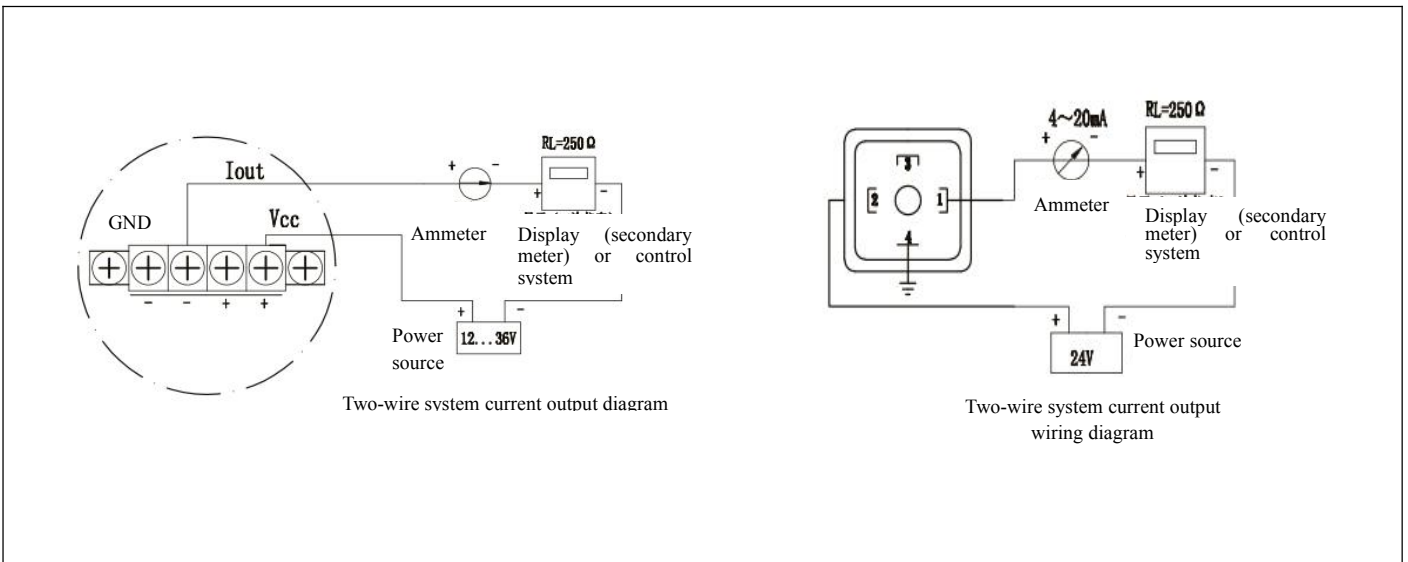
Field of application

The product is widely used in aerospace, marine shipbuilding, petrochemical pipeline pressure test and industrial process pressure control.

Outside view



Wiring diagram



Technical parameters

Range	-100~0~5, 100, 500, 800, 1000kPa 0~2, 10.....260MPa		
Pressure type	Gauge pressure, negative pressure and absolute pressure		
Output signal	4~20mA, 4~20mA+HART protocol, 4~20mA+RS485 protocol		
Input voltage	12~36V DC		
Accuracy	0.1	0.2 (0.25)	0.5
Nonlinear Repeatability Delaying	0.1	0.2 (0.25)	0.5
Zero and sensitivity drift	0.01	0.02 (0.025)	0.005
Temperature compensation	-65℃~150℃		
Work temperature	-65~+200℃		
Long-term stability	≤0.1±%FS/year		
Response time	< 1ms		
Overload capacity	200%		
Load resistance	$R = (U - 12.5) / 0.02 - R_D$ U=power voltage; R_D =internal resistance of power source		
Measurement medium	Corrosive media compatible with 316L		
Diaphragm material	316L stainless steel		
Case material	1Cr18Ni9Ti		
Protection rating	IP67		

Instruction to model selection

LONN-6X						
	Type	01: Hirschmann socket 02: Industrial digital display 03: Industrial type				
		Range	-100~0~5, 100, 500, 800, 1000kPa; 0~1~260MPa			
			Output	01: 4~20mA; 02: 4~20mA+HART 03: 4~20mA+RS485		
				Precision	0.1; 0.25; 0.5	
					Process interface	M20×1.5 or random conversion
					Pressure type	G: gauge pressure A: absolute pressure



							D: Differential pressure
Model selected	LONN-LG	0~1MPA	01	0.25	M20×1.5	G	

Xi'an Lonn M&E Equipment Co.,Ltd

12th South of Chang'an road, Yan ta Dist. Xi'an City, Shaanxi Province, China

 +86-29-8866-1865  +86-29-8866-0964

 xalonn@aliyun.com

 www.xalonn.com

 www.facebook.com/xianlonn

 www.linkedin.com/company/13385899