

Product introduction



LONN-K1X Digital Pressure Controller

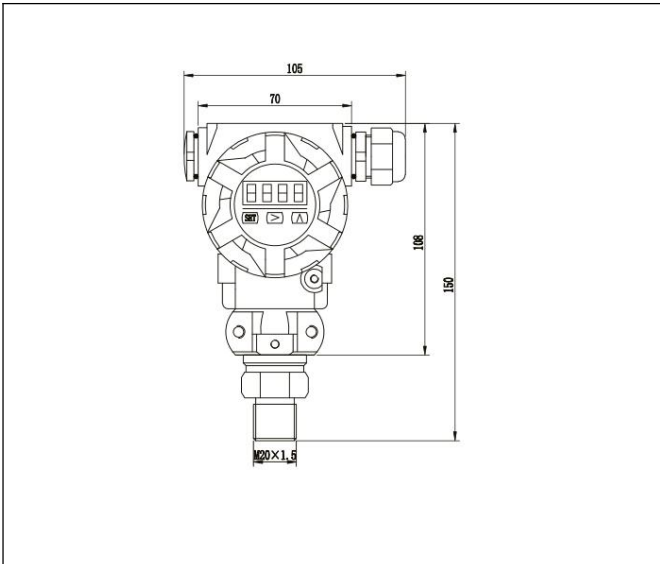
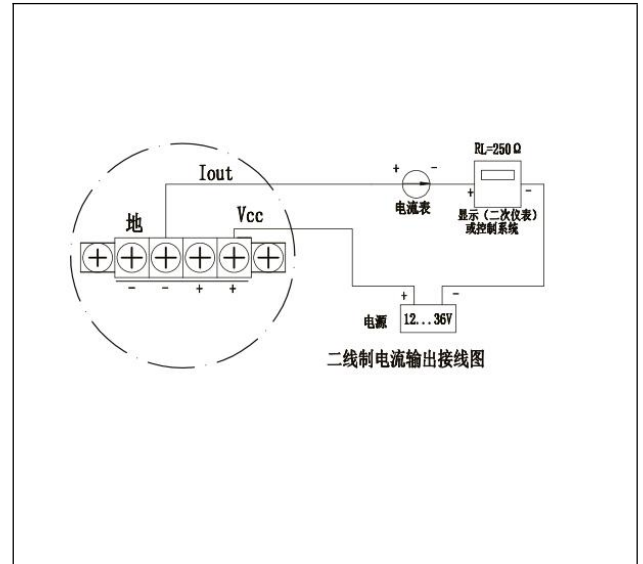
LONN-K1X digital pressure controller is a type of pressure meter coming with long distance transmission. It adopts the high-accuracy and high-stability pressure sensor. It uses 3^{1/2} LED to display pressure value and outputs industry-standard 4-20mA or 0-10mA signal.

Product features

- High accuracy and reliability with Germany-made chip
- In-built anti-interference circuit and isolated from the external environment
- Two-wire system 4-20mA signal output, RS485 signal output is customizable
- General precision: 0.25 grade, customized 0.1 grade is available
- High temperature (-40°C ~ 200°C) and corrosion resistant type (concentrated sulfuric acid and concentrated hydrochloric acid) are customizable

Field of application

It is used to measure the pressure, absolute pressure and negative pressure of corrosive gases, liquids and steam in the fields of petroleum, chemical industry, metallurgy, electric power and environmental protection. It can also be used to measure the pressure under low vacuum, atmospheric pressure and harsh environment.

Outside view

Wiring diagram

Technical parameters

Range	KPa	-100~0~10, 100……1000		
	MPa	0~2……100		
Pressure type	Gauge pressure, negative pressure and absolute pressure			
Output signal	4~20mA, 0~10mA, 1~4-way relay control			
Display type	3½ LCD(LED)			
Accuracy	0.1	0.2 (0.25)	0.5	
Nonlinear (FS%)	≤0.1	≤0.2	≤0.5	
Delaying, repeatability (FS%)	≤0.05	≤0.1	≤0.3	
Resolution	1 byte			
Working voltage (VDC)	+12~+36 (calibration value +24)			
Overload capacity (%)	300			
Lifespan	>1×10 ⁸ times pressure cycling (25℃)			
Relative humidity (%RH)	≤80			
Vibration (Hz)	0~300			
Acceleration (ms ⁻²)	≤3×9.81			
Impact (ms ⁻²)	≤10×9.81			



Measurement medium	Various media compatible with 316L
Diaphragm material	316L stainless steel, heusler alloy C-276
Case material	1Cr18Ni9Ti

Instruction to model selection

LONN-K1X						
	Type	01: Ordinary 02: Explosion proof type				
		Range	-100~0~5, 100, 500, 800, 1000kPa; 0~2, 10.....100MPa			
			Output	01: 4~20mA; 02: 4~20mA+2-way control; 03: 4~20mA+4-way control		
				Precision	0.1; 0.25; 0.5	
					Process interface	M20×1.5 user-defined
					Pressure type	G: gauge pressure A: absolute pressure D: Differential pressure
Model selected	LONN-K1X	0~1MPa	01	0.25	M20×1.5	G

Xi'an Lonn M&E Equipment Co.,Ltd

12th South of Chang'an road, Yan ta Dist. Xi'an City, Shaanxi Province, China

+86-29-8866-1865 +86-29-8866-0964

xalonn@aliyun.com

www.xalonn.com

www.facebook.com/xianlonn

www.linkedin.com/company/13385899